

**FIGURE 1. LUBRICATION INSTRUCTIONS FOR GASOLINE ENGINE.**

LUBRICATION ORDER  
TO 38G2-102-2LC-1

**L05-2805-256-12**

(Supersedes L05-2805-256-12 dated 22 DEC 67)

**ENGINE, GASOLINE, 1½ HP. MILITARY STANDARD MODELS  
(MODEL 1A08-1) (MODEL 1A08-2) (MODEL 1A08-3)**

Reference: FEDERAL SUPPLY CATALOG C9100-IL

Intervals are based on normal hours of operations. Adjust to compensate for abnormal operations and severe conditions. During inactive periods, sufficient lubrication must be performed for adequate preservation.  
Relubricate after washing.

Clean parts with SOLVENT, dry-cleaning, or with OIL, fuel, Diesel. Dry before lubricating.

Drain crankcase when hot. Fill and check level.

FOLD

FOLD

LUBRICANT ● INTERVAL

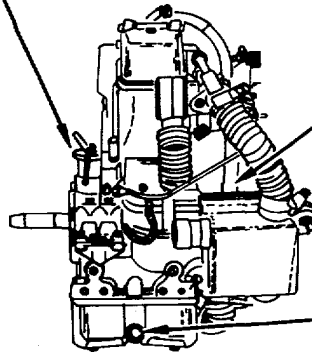
INTERVAL ● LUBRICANT

Crankcase Fill and Level  
(Check level) (See key)

CAUTION: When OES oil is used the level will be checked more often.

OE HDO 8

500 OE HDO  
ignition cam wick  
(Springly)

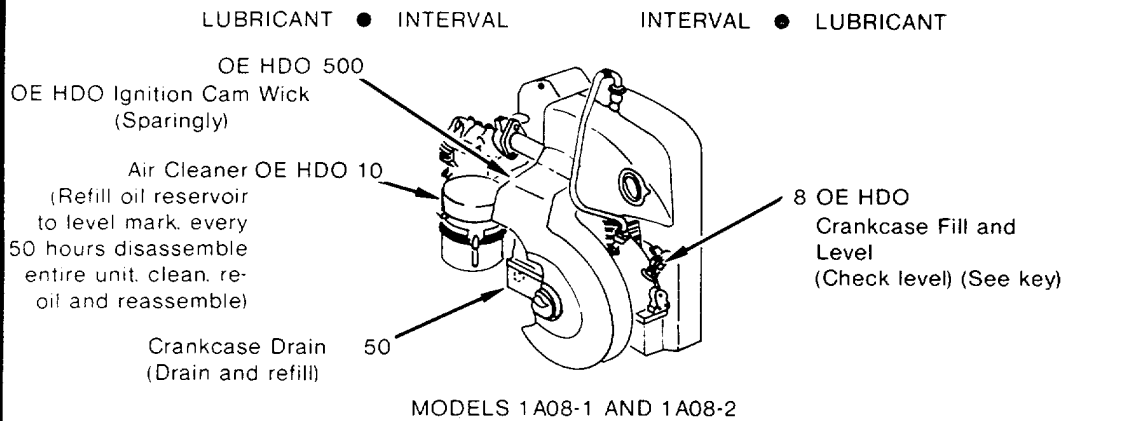


50 Crankcase Drain  
(Drain and refill)

MODELS 1A08-3

Appendix A

**FIGURE 1. LUBRICATION INSTRUCTIONS FOR GAS-OLINE ENGINE, CONTINUED.**



LUBRICANTS	CAPACITY	EXPECTED TEMPERATURES			INTERVALS
		Above +32° F	+40° F to -10° F	0° F to -65° F	
OE HDO LUBRICATING OIL, Engine					Intervals given are in hours of normal operation
Crankcase 1 1/2 HP	1/2 qt.	OE HDO 30	OE HDO 10	OES	
Air Cleaner-1 and -11 only	1/8 qt.				
OES-OIL-Engine, Sub-zero					

FOLD

FOLD

NOTES

1. FOR OPERATION OF EQUIPMENT IN PROTRACTED COLD TEMPERATURES BELOW -10 F. Remove lubricants prescribed in the key for temperatures above -10 F.

2. LUBRICANTS. The following is a list of lubricants with the Military Symbols and applicable Specification numbers.  
 OE HDO MIL-L-2104C OES MIL-L-10295

Copy of this Lubrication Order will remain with the equipment at all times. Instructions contained herein are mandatory.

BY ORDER OF THE SECRETARIES OF THE ARMY AND THE AIR FORCE

OFFICIAL  
 JOHN F. RASH  
 Colonel, USAF  
 Director of Administration

OFFICIAL  
 PAUL T. SMITH  
 Major General, United States Army,  
 The Adjutant General

FRED C. WEYAND  
 General, United States Army  
 Chief of Staff

JOHN D. RYAN  
 General, USAF  
 Chief of Staff